



DIRECT STEAM KETTLES

TRI-LEG, DIRECT STEAM

STATIONARY, FULL STEAM JACKETED
30, 40, 60, 80, 100, 125 or 150, GALLONS
(110, 150, 225, 300, 375, 475 or 575 LITERS)

Cleveland Standard Features

- Full Steam Jacketed for faster heating
- Low working height (37.00")
- Tri-leg supports of 1½" O.D., type 304 Stainless Steel tubular construction, with level adjustable flanged feet for floor bolting
- Kettle and all exterior surfaces are Stainless Steel for ease of cleaning
- Spring-assisted Cover: domed, hinged, one-piece rotatable (not available on KDL-125-F)
- 2" diameter Tangent Draw-off Valve, with Drain Strainer
- 35 psi Steam Jacket Rating
- 35 psi chrome plated Safety Valve
- Condensate Drain Valve with insulated handle
- Faucet Mounting Bracket
- Steam Control Inlet Valves

Options & Accessories

- 316 Stainless Steel Kettle Liner for high acid food products (316-G)
- Lift-off Covers (CL)
- Chrome plated Steam Control Kit includes: Steam Traps, Condensate Strainers, Check Valves, nipples and fittings, factory assembled and mounted on kettle (SCK1)
- Hot and Cold Water Faucet, comes with Swing Spout
- 100 psi Pressure Option (PO) (for 125 gallons and larger)
- Cooking Baskets and Tri-Basket Supports (BS and TBS)
- Measuring Strips (MS)
- Gallon Markings (KM)
- Kettle Accessory Kit (KAK) includes:
 - Clean-up Brush (CB)
 - 36" Kettle Paddle (KP)
 - 36" Kettle Whip (KW)
 - 36" Kettle Brush (KB)
 - Draw-off Brush (DB)
 - 24 oz. Ladle (KL)
- Swing Funnels for drain (SF)
- Drain Strainers (DS-)
- Pressure Reducing Valve for regulating incoming steam pressure of over 45 psi (PRV-K)
- Hot and cold, or cold only, Kettle Filler with 60" Hose (DKF-K or SKF-K)
- Automatic Water Cooling* (AWC-1)
* requires Console Mounting Option

MODELS: KDL-30-F KDL-80-F
 KDL-40-F KDL-125-F
 KDL-60-F

ITEM NUMBER _____

JOB NAME / NUMBER _____

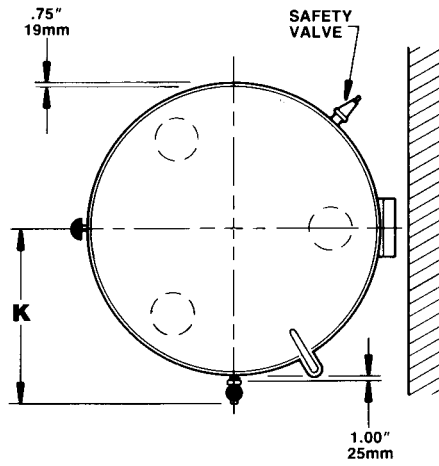


Shown with optional Steam Control Kit

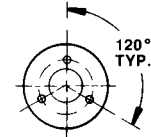
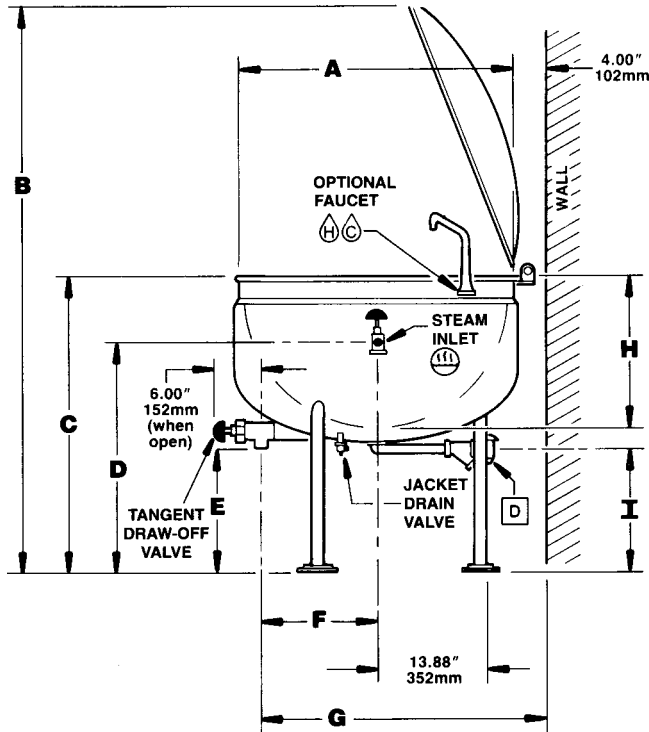
Short Form Specifications

Shall be CLEVELAND, Direct Steam Kettle, Tri-leg, stationary, Model KDL - ____ - F. Full Steam Jacketed, type 304 Stainless Steel with 50 psi Steam Jacket Rating. Tri-leg supports to be Stainless Steel. Includes spring-assisted Domed Cover and 2" diameter Tangent Draw-off Valve; heavy re-enforced Rolled Rim. To operate, connect directly to a steam source supplying from 5 to 45 psi on 30 and 40 gallon models; 30 psi on larger models.

- Alternate Mounting Systems - Console Mounting
- Automatic Water Meter (GMF gallons or LMF liters)
- Water Meter Stand (SWM)
- 3" diameter Tangent Draw-Off Valve w/Strainer (TD3)
- 3" diameter Butterfly Valve (BV3)
- Pre-Rinse Spray Head and Hose (PRSK)
- Correctional Packages
- Heat Deflector Shield (HS001)

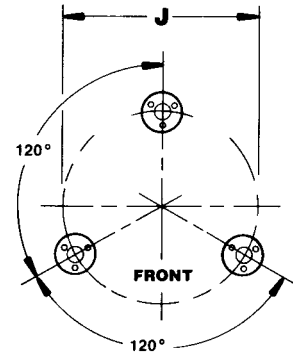


CAPACITIES: (in 8 oz. servings, other sizes may be calculated.)
 30 Gallon / 110 liters ... 480 servings
 40 Gallon / 150 liters ... 640 servings
 60 Gallon / 225 liters ... 960 servings
 80 Gallon / 300 liters ... 1280 servings
 125 Gallon / 475 liters ... 2000 servings
 150 Gallon / 575 liters ... 2400 servings



Three, 7/16" (11mm) Dia. Holes on 3.125" (79mm) Dia. of Bolting Circle.

TRI-BOLT FOOT DETAIL



TRI-LEG MOUNTING DETAIL

GALS.	LITERS		A	B	C	D	E	F	G	H	I	J	K
30	114	IN	29.50	67.50	37.00	29.50	17.75	13.50	32.50	17.50	16.75	25.00	18.88
		mm	750	1715	940	749	451	343	826	445	425	635	480
40	151	IN	33.00	70.00	37.00	29.00	15.88	14.38	35.00	19.25	15.25	29.88	20.63
		mm	838	1778	940	737	403	365	889	489	387	759	524
60	227	IN	35.50	73.00	37.00	28.50	14.31	14.88	36.75	20.50	14.00	32.38	21.88
		mm	902	1854	940	724	363	378	933	521	356	822	556
80	303	IN	40.00	77.25	37.00	27.50	12.38	15.25	39.38	22.75	11.50	36.88	24.13
		mm	1016	1962	940	699	314	387	1000	578	292	937	613
125	473	IN	48.00	83.75	38.50	29.00	10.00	18.38	46.50	26.50	9.50	44.88	28.00
		mm	1219	2127	978	737	254	467	1181	673	241	1140	711

DIRECT STEAM (SI)	DRAINAGE (D)	WATER (H,C)	CLEARANCE
Steam supply: • Furnish 3/4" IPS minimum line. Operating pressure 5 to 45 psi. • 5 to 30 psi operating pressure for 60, 80, 125 and 150 gallon models	1/2" NPT Condensate Return with Strainer and Trap.	3/8" O.D. copper tube or 1/2" NPT pipe When ordered with optional faucet.	RIGHT = 0" LEFT = 0" REAR = 4.00"

NOTES:

Cleveland Range reserves right of design improvement or modification, as warranted.
 Many regional, state and local codes exist and it is the responsibility of the owner and installer to comply with the codes.
 Installation of backflow preventers, vacuum breakers and other specific code requirements is the responsibility of the owner and installer.
 Cleveland Range equipment is built to comply with applicable standards for manufacturers. Included among those approval agencies are U.L., A.G.A., NSF, ASME/N.Bd., CSA, CGA, ETL and others.