

VC44G SERIES DOUBLE DECK GAS CONVECTION OVENS



Model VC44GD



SPECIFICATIONS:

Double section gas convection oven, Vulcan-Hart Model No. (VC44GD) (VC44GC). Stainless steel front, sides, top and legs. Independently operated stainless steel doors with windows open a full 180°. Non-sag insulation applied to the top, rear, sides, bottom and doors. Porcelain enamel on steel oven interiors measures 29"w x 22¹/₈"d x 20"h. Two interior oven lights per section. Five nickel plated oven racks per section measure 28¹/₄" x 20¹/₂". Eleven position nickel plated rack guides with positive rack stops. One 44,000 BTU/hr. burner per section. 88,000 total BTU/hr. Electronic spark igniters. Furnished with a two speed 1/2 H.P. oven blower-motor per section. Oven cool switch for rapid cool down. 115 volt, 60 Hz, 1 ph power supply required. 6' cord and plug. 9 amps total draw.

Exterior dimensions: 40"w x 41¹/₂"d x 70"h on 8" legs. Depth measurement includes door handles.

CSA design certified. NSF listed.

SPECIFY TYPE OF GAS WHEN ORDERING.

SPECIFY ALTITUDE WHEN ABOVE 2,000 FT.

- VC44GD** Solid state temperature controls adjust from 150° to 500°F. 60 minute timer with audible alarm.
- VC44GC** Computer controls with digital time and temperature readouts. 99-hour timer with audible alarm. Roast and Hold cycle. Six preset menu selections. Shelf I.D. programming.

STANDARD FEATURES

- Stainless steel front, sides, top and legs.
- Independently operated stainless steel doors with windows open a full 180°.
- 44,000 BTU/hr. burner per section.
- Electronic spark igniters.
- 1/2 H.P. two speed oven blower-motor. 115/60/1 with 6' cord and plug. 9 amps per section. 18 amps total draw.
- Oven cool switch for rapid cool down.
- Porcelain enamel on steel oven interior.
- Five nickel plated oven racks with eleven rack positions per section.
- 3/4" rear gas connection with combination gas pressure regulator and safety solenoid system.
- One year limited parts and labor warranty.

OPTIONS

- Five hour timer in place of 60 minute timer (Model VC44GD).
- Roast & Hold control (Model VC44GD).
- Casters.
- Flanged feet.
- Simultaneous opening chain driven doors.
- Stainless steel rear enclosure.
- Second year extended limited parts and labor warranty.

ACCESSORIES

- Extra oven rack(s).
- Stainless steel drip pan.
- Flexible gas hose with quick disconnect and restraining device. Consult price book for available sizes.
- Down draft flue diverter for direct vent connection.



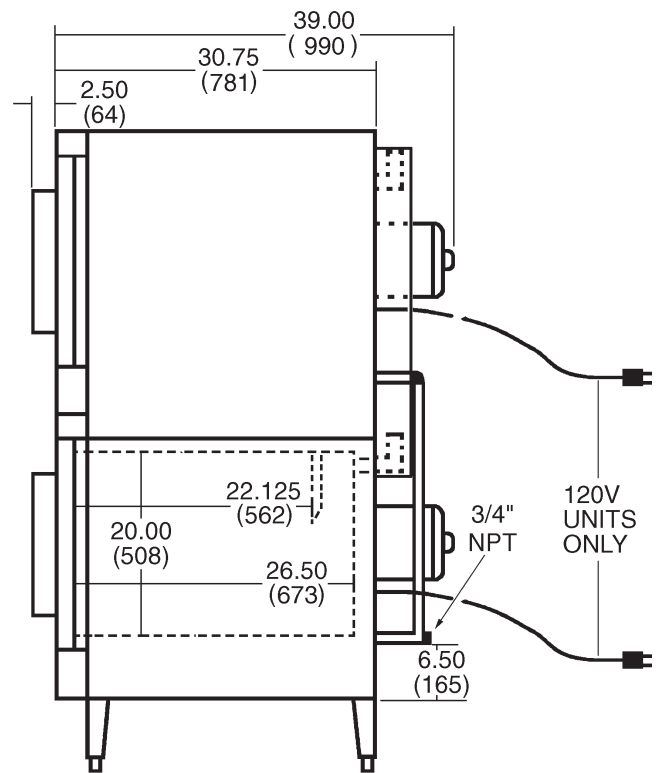
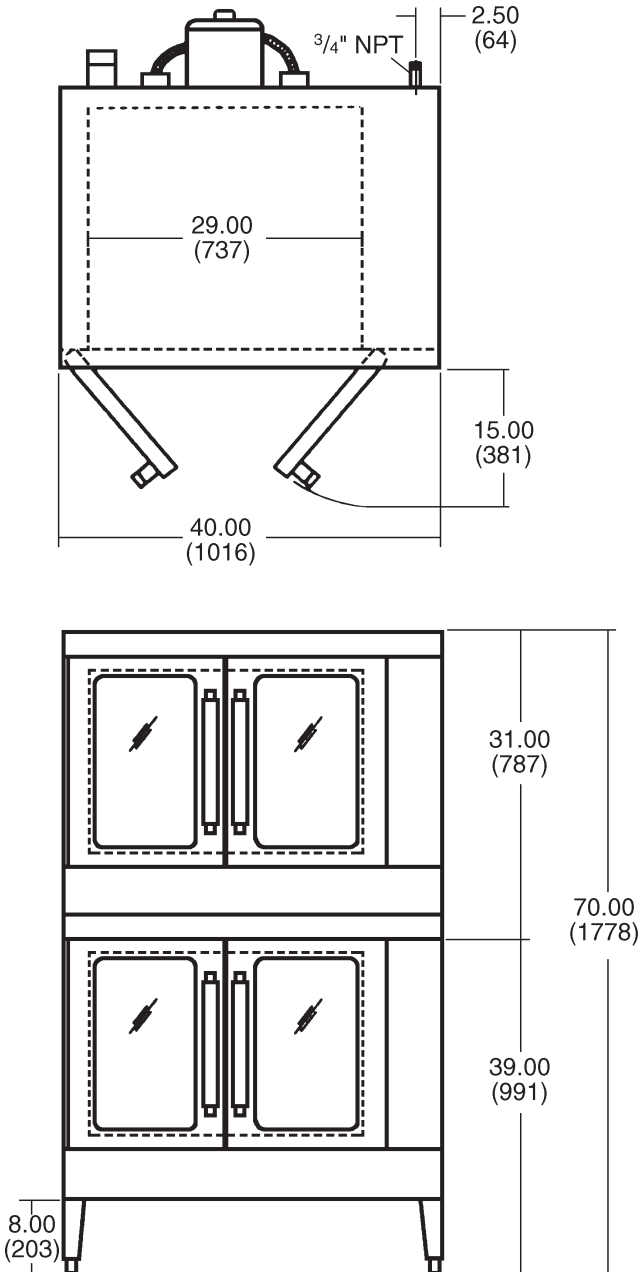
VC44G SERIES

DOUBLE DECK GAS CONVECTION OVENS

IMPORTANT

1. A combination gas pressure regulator and safety solenoid system is included in this unit. Natural gas is 3.5" W.C., Propane gas is 10.0" W.C.
2. An adequate ventilation system is required for commercial cooking equipment. Information may be obtained by writing to the National Fire Protection Association, Batterymarch Park, Quincy, MA 02289. When writing, refer to NFPA No. 96.
3. These units are manufactured for installation in accordance with ANSZ223.1A (latest edition), National Fuel Gas Code. Copies may be obtained from the American Gas Association, 1515 Wilson Blvd., Arlington, VA 22209.
4. Clearances:

	Combustible	Non-combustible
Rear	6"	6"
Sides	4"	4"
5. This appliance is manufactured for commercial installation only and is not intended for home use.



MODEL NO.	WIDTH	DEPTH (INCLUDES HANDLES)	HEIGHT	BTU/HR. PER OVEN	TOTAL BTU/HR.	ELECTRICAL	APPROX. SHP. WT.	
							LBS.	KG
VC44G	40"	41 1/2"	70"	44,000	88,000	115/60/1	1004	455

NOTE: In line with its policy to continually improve its products, Vulcan-Hart Company reserves the right to change materials and specifications without notice.